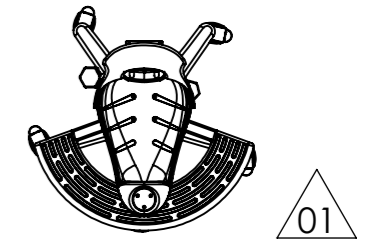
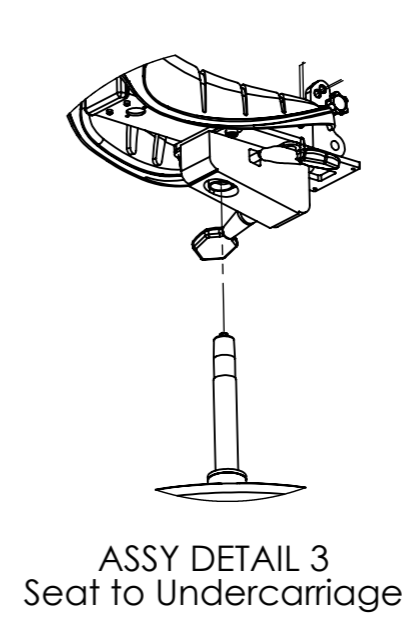
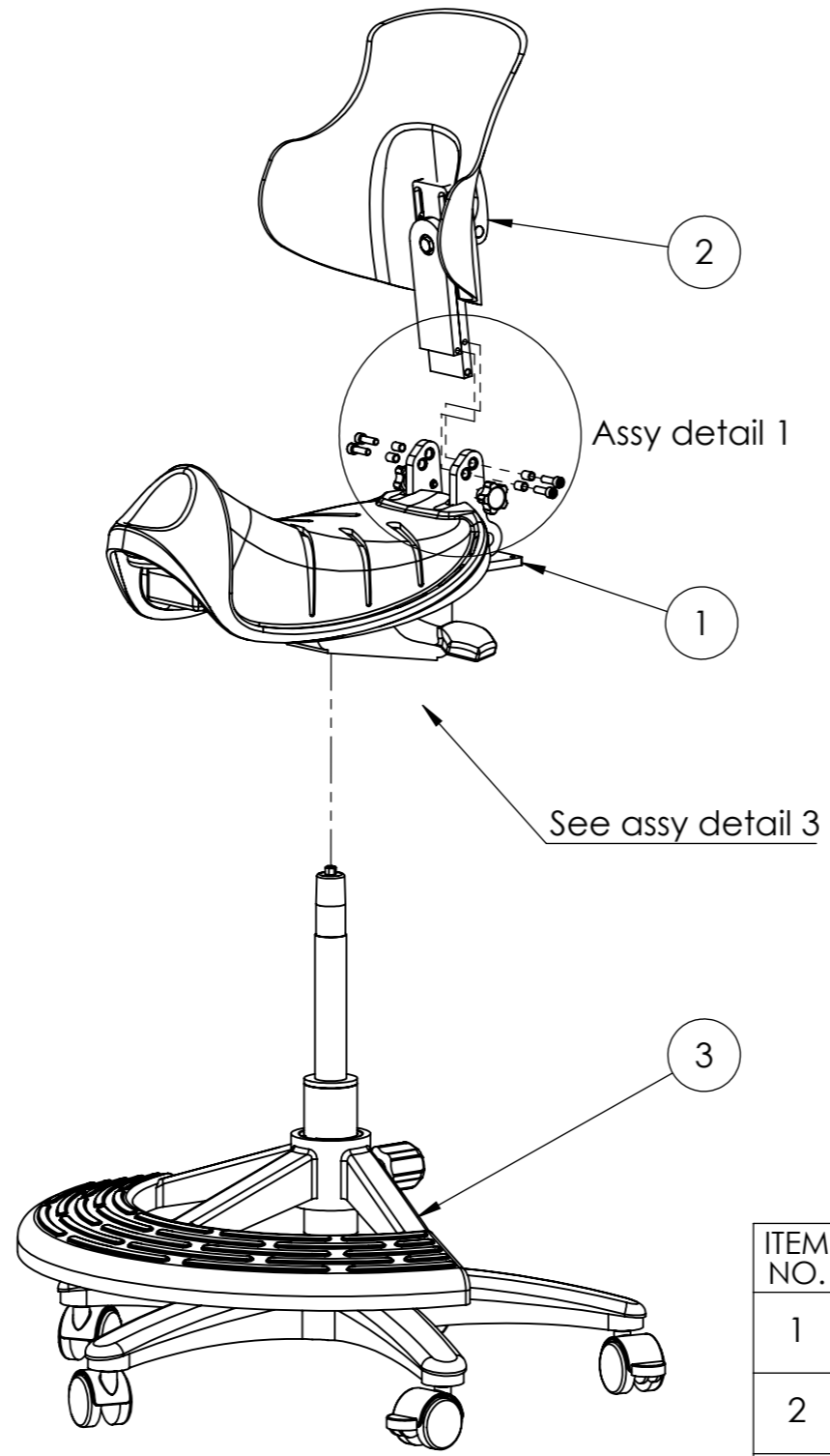


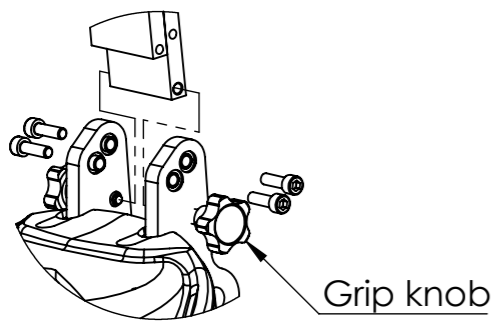
Assembly order:

1. Insert 4 x Interface bracket spacer (Item 4) into Interface bracket in Seat assy (Item 1) as shown in ASSY DETAIL 1-2.
2. Loosen the two grip knobs in the Seat assy (Item 1) (see ASSY DETAIL 1-1).
3. Add a drop of blue Loctite to 4 x threaded holes (see ASSY DETAIL 1-2)
4. Place Backrest (Item 2) between the two Interface brackets in the Seat assy. Fixate in center of brackets and finger tighten the two Grip knobs.
5. Loosen the Cam lever to release the Locking plate (see ASSY DETAIL 2).
6. Insert 4 screws M6x20 (Item 5) and torque to 10 - 12 Nm (see ASSY DETAIL 1-2).
7. Place the assembled Seat/ Backrest unit on top of the Undercarriage (Item 3) and press down to fixate.

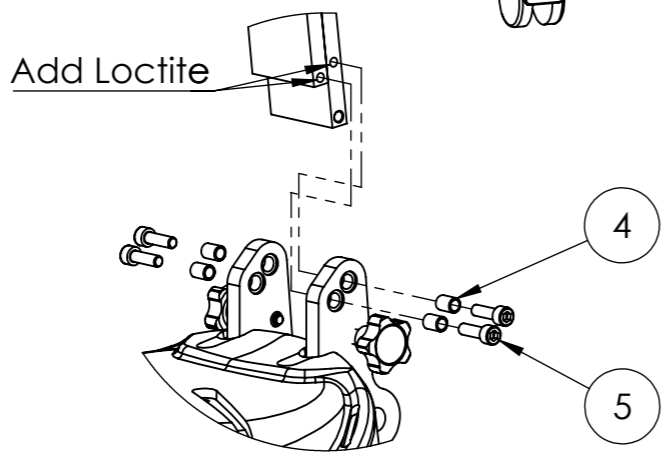
REV.	DESCRIPTION	DATE
00	Established	14.03.2017
01	AO edited, Detail View added	03.04.2017
02	Fastener (Item 5) updated	06.11.2017



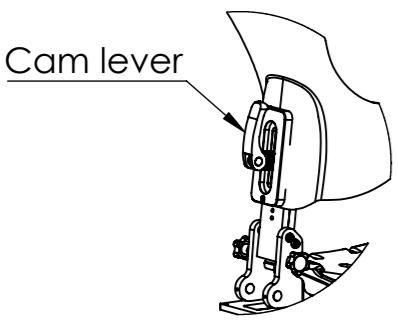
Align seat with undercarriage and Foot support as shown here



ASSY DETAIL 1-1
Positioning of Backrest



ASSY DETAIL 1-2
Backrest to Seat



ASSY DETAIL 2

ITEM NO.	PART NUMBER	Title	QTY.
1	300-4013	Krabat Jockey Lite, Seat, complete, size 1	1
2	900-1134	Backrest, high, complete, size 1	1
3	300-4003	Jockey Lite undercarriage, size 1 and -2	1
4	900-1140	Interface bracket -spacer	4
5	DIN 912 M6 x 20 --- 20N - St - 10.9 - EZ		4

UNLESS OTHERWISE SPECIFIED:				<p>Krabat Jockey</p> <p>TITLE: Jockey Lite size 1, complete w/ footrest</p>												
ALL DIMENSIONS ARE IN MILLIMETERS	TOLERANCES, LINEAR/ ANGULAR: NS-ISO 2768-1-m-K	DEBUR AND BREAK SHARP EDGES	PAPER SIZE: A3													
			MATERIAL:	DWG NO. 300-4004												
<table border="1"> <thead> <tr> <th>NAME</th> <th>SIGNATURE</th> <th>DATE</th> </tr> </thead> <tbody> <tr> <td>DRAWN A.S.</td> <td></td> <td>14.03.17</td> </tr> <tr> <td>CHK'D</td> <td></td> <td></td> </tr> <tr> <td>APP'VD</td> <td></td> <td></td> </tr> </tbody> </table>			NAME	SIGNATURE	DATE	DRAWN A.S.		14.03.17	CHK'D			APP'VD			TREATMENT:	REVISION 02
NAME	SIGNATURE	DATE														
DRAWN A.S.		14.03.17														
CHK'D																
APP'VD																
WEIGHT:			SHEET 1 OF 1 SCALE:1:10 DO NOT SCALE DRAWING													